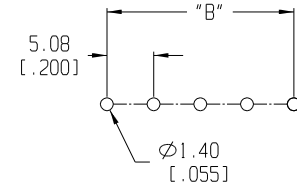
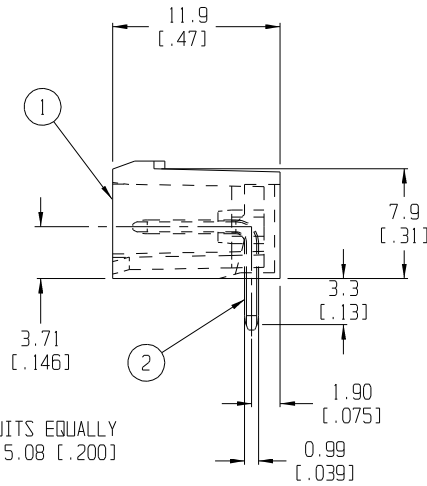


"XX" CIRCUITS EQUALLY SPACED @ 5.08 [.200]



RECOMMENDED PLATED THRU HOLE PATTERN  
SCALE 2:1

NOTES:

1. MATERIAL: SEE TABLE
2. FINISHES: SEE TABLE
3. PRODUCT SPECIFICATION: NOT REQUIRED
4. PACKAGING: NOT REQUIRED
5. MATES WITH: NONE
6. "XX" REFERS TO THE QUANTITY OF CIRCUIT POSITIONS.
7. REFER TO DWG SD-38120-003 FOR OPTIONAL IMPRINTING (-10A AND -11A)

ITEM	QTY.	DESCRIPTION	MATERIAL	FINISH
2	XX	HEADER PIN (-G30 OPTION)	BRASS	GOLD PLATE
		HEADER PIN	BRASS	TIN PLATE
1	1	INSULATOR	NYLON	SEE CHART

ECN NO. 3719	DESCRIPTION
DRWN: CY 06-04-04	MAJOR
CHK: K	CRITICAL
APPR:	S
REV	S

QUALITY SYMBOLS	GENERAL TOLERANCES: (UNLESS SPECIFIED)
MAJOR	mm INCH
CRITICAL	4 PLACES ±.0015
S	3 PLACES ±.038 ±.005
	2 PLACES ±.13 ±.01
	1 PLACE ±.3
	ANGULAR: ±2°
	DRAFT WHERE APPLICABLE MUST REMAIN WITHIN DIMENSIONS

SCALE 3:1	DESIGN UNITS <input type="checkbox"/> mm <input checked="" type="checkbox"/> INCH
DRAWN BY & DATE R. KEMP 12-05-01	
CHECKED BY & DATE P. WALTZ 12-06-01	
APPROVED BY & DATE L. ROTHBAUS 12-06-01	
CAD FILENAME 8619XX	

PROJECT NO. N/A	SHT	REV
DIMENSIONS: <input checked="" type="checkbox"/> mm <input type="checkbox"/> INCH <input type="checkbox"/> mm ONLY	REVISE ON CAD ONLY	
THIRD ANGLE PROJECTION		
TITLE: HEADER RA, CLOSED ENDS, ASSY (5.08 [.200] CENTERS)		
MOLEX INCORPORATED		
MATERIAL NO. SEE SHT. 2	DRAWING NO. SD-39860-011	SHEET NO. 1 OF 2
THIS DRAWING CONTAINS INFORMATION THAT IS PROPRIETARY TO MOLEX INCORPORATED AND SHOULD NOT BE USED WITHOUT WRITTEN PERMISSION.		
		SIZE B

NO. OF CIRC. "XX"	DIM. "A" ±.015	DIM. "B"	DIM. "C" ±.005 -.012	BLACK (STD.) MATERIAL NO.	BLACK MATERIAL NO. (-G30 OPT)	BLACK MATERIAL NO. (-10A OPT)	GREEN MATERIAL NO.	ORANGE MATERIAL NO.
02	11.43 [.450]	5.08 [.200]	10.46 [.412]	39860-0702	39861-0702	39862-0702	39860-3702	
03	16.51 [.650]	10.16 [.400]	15.54 [.612]	39860-0703	39861-0703	39862-0703	39860-3703	39869-0023
04	21.59 [.850]	15.24 [.600]	20.62 [.812]	39860-0704	39861-0704	39862-0704	39860-3704	
05	26.67 [1.050]	20.32 [.800]	25.70 [1.012]	39860-0705	39861-0705	39862-0705	39860-3705	
06	31.75 [1.250]	25.40 [1.000]	30.78 [1.212]	39860-0706	39861-0706	39862-0706	39860-3706	
07	37.44 [1.474]	30.48 [1.200]	35.86 [1.412]	39860-0707	39861-0707	39862-0707	39860-3707	39869-0042
08	42.52 [1.674]	35.56 [1.400]	40.94 [1.612]	39860-0708	39861-0708	39862-0708	39860-3708	
09	47.60 [1.874]	40.64 [1.600]	46.02 [1.812]	39860-0709	39861-0709	39862-0709	39860-3709	
10	52.68 [2.074]	45.72 [1.800]	51.10 [2.012]	39860-0710	39861-0710	39862-0710	39860-3710	
11	57.76 [2.274]	50.80 [2.000]	56.18 [2.212]	39860-0711	39861-0711	39862-0711	39860-3711	
12	62.84 [2.474]	55.88 [2.200]	61.26 [2.412]	39860-0712	39861-0712	39862-0712	39860-3712	39869-0059
13	67.92 [2.674]	60.96 [2.400]	66.34 [2.612]	39860-0713	39861-0713	39862-0713	39860-3713	
14	73.00 [2.874]	66.04 [2.600]	71.42 [2.812]	39860-0714	39861-0714	39862-0714	39860-3714	39869-0064
15	78.08 [3.074]	71.12 [2.800]	76.50 [3.012]	39860-0715	39861-0715	39862-0715	39860-3715	
16	83.16 [3.274]	76.20 [3.000]	81.58 [3.212]	39860-0716	39861-0716	39862-0716	39860-3716	
17	88.24 [3.474]	81.28 [3.200]	86.66 [3.412]	39860-0717	39861-0717	39862-0717	39860-3717	
18	93.32 [3.674]	86.36 [3.400]	91.74 [3.612]	39860-0718	39861-0718	39862-0718	39860-3718	
19	98.40 [3.874]	91.44 [3.600]	96.82 [3.812]	39860-0719	39861-0719	39862-0719	39860-3719	
20	103.48 [4.074]	96.52 [3.800]	101.90 [4.012]	39860-0720	39861-0720	39862-0720	39860-3720	
21	108.56 [4.274]	101.60 [4.000]	106.98 [4.212]	39860-0721	39861-0721	39862-0721	39860-3721	39869-0068
22	113.64 [4.474]	106.68 [4.200]	112.06 [4.412]	39860-0722	39861-0722	39862-0722	39860-3722	
23	118.72 [4.674]	111.76 [4.400]	117.14 [4.612]	39860-0723	39861-0723	39862-0723	39860-3723	
24	123.80 [4.874]	116.84 [4.600]	122.22 [4.812]	39860-0724	39861-0724	39862-0724	39860-3724	

EC NO. SEE SHEET 1 DRAWN: CH K APPR:	DESCRIPTION MAJOR = CRITICAL C = SPC S =	QUALITY SYMBOLS	GENERAL TOLERANCES: (UNLESS SPECIFIED)		SCALE	DESIGN UNITS	THIRD ANGLE PROJECTION	DIMENSIONS:		SHT	REV
			mm	INCH	-	<input type="checkbox"/> mm <input checked="" type="checkbox"/> INCH	<input checked="" type="checkbox"/> mm <input type="checkbox"/> INCH <input type="checkbox"/> mm ONLY	-	-	REVISE ON CAD ONLY	
1	REV	DRAFT WHERE APPLICABLE MUST REMAIN WITHIN DIMENSIONS	4 PLACES ±.0015		DRAWN BY & DATE R. KEMP 12-05-01		TITLE: HEADER RA, CLOSED ENDS, ASSY (5.08 [.200] CENTERS)				
			3 PLACES ±.038 ±.005		CHECKED BY & DATE P. WALTZ 12-06-01						
			2 PLACES ±.13 ±.01		APPROVED BY & DATE L. ROTHHAUS 12-06-01		MOLEX INCORPORATED				
			1 PLACE ±.3		CAD FILENAME 8619XX	MATERIAL NO. SEE CHART	DRAWING NO. SD-39860-011	SHEET NO. 2 OF 2		SIZE B	

